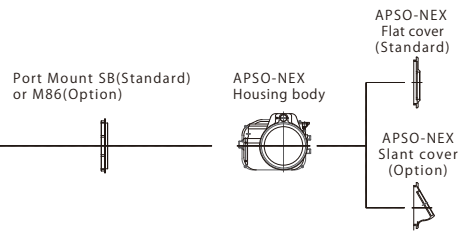
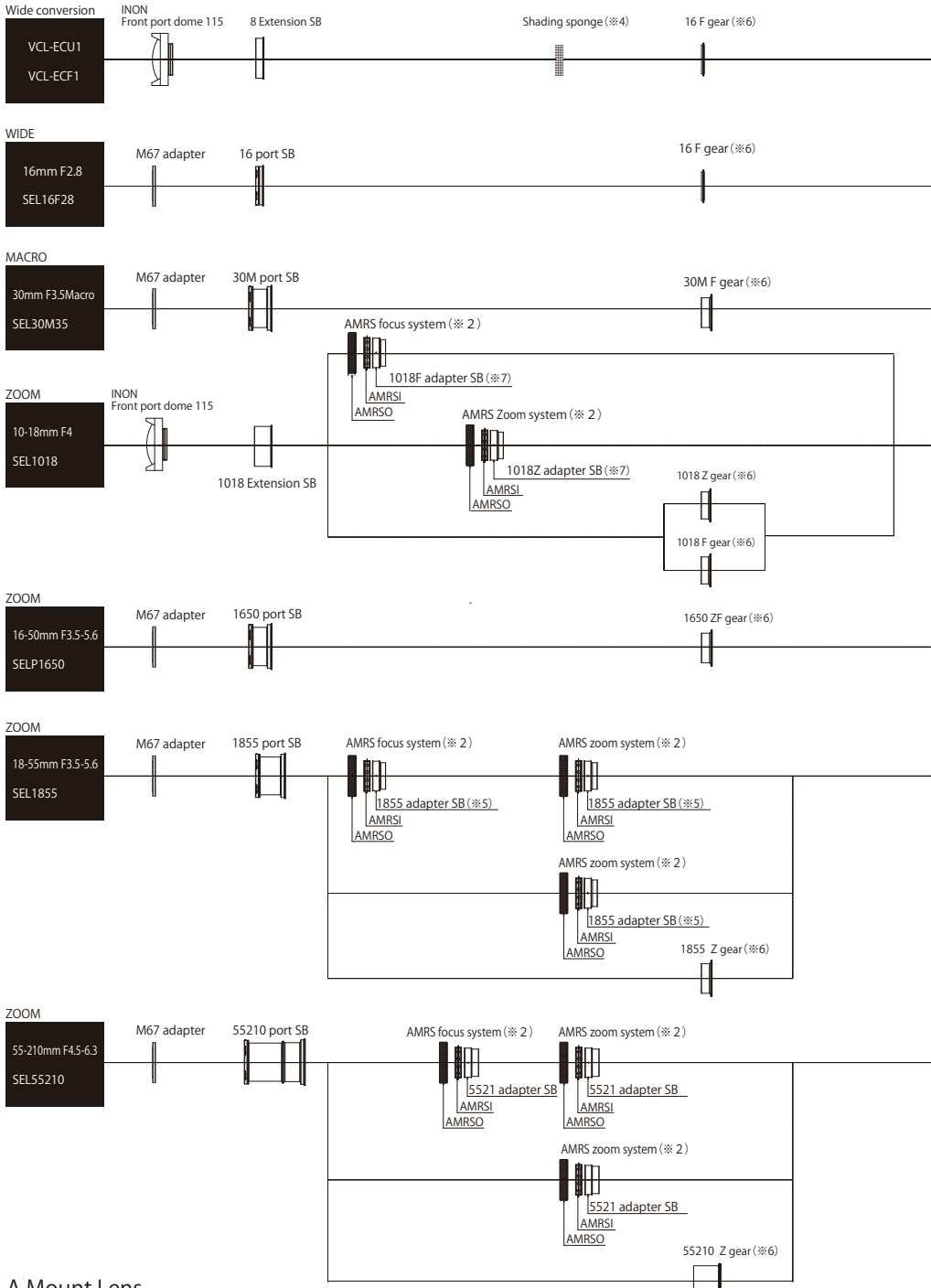


E Mount Lens



- *1 When purchasing the APSO-NEX5N.7, the port mount SB can be changed to an M86, allowing the use of a standard M86 port. (Made at the time of ordering, this change will be at no charge; after ordering additional charges will accrue)
- SB is short for Small Bayonet.
- The standard M86 port can be used on the APSO-NEX5.3 In order that there may be no gear knob, it becomes use of AF or AMRS. (if there is a setup)
- The standard SB port can only be attached to an APSO-NEX5N.7.
- *2 The AMRS focus system; AMRS zoom system, and AMRS system are all constructed alike.
- AMRSO and AMRSI use the same ports. Only the special adaptor is different.
- *3 Although referred to as SB, the M86 port can also be used because it is the same item.
- *4 This (diffuser) prevents the internal strobe from being reflected in the dome port.
- *5 As for 1855 adapters, SB and M86 are different things. Be careful.
- When using only by AF, AMRS (for focuses) and a focal gear are unnecessary.
- *6 APSO-NEX without a gear knob cannot be used.
- *7 Please choose the object for zoom, or the object for focuses.

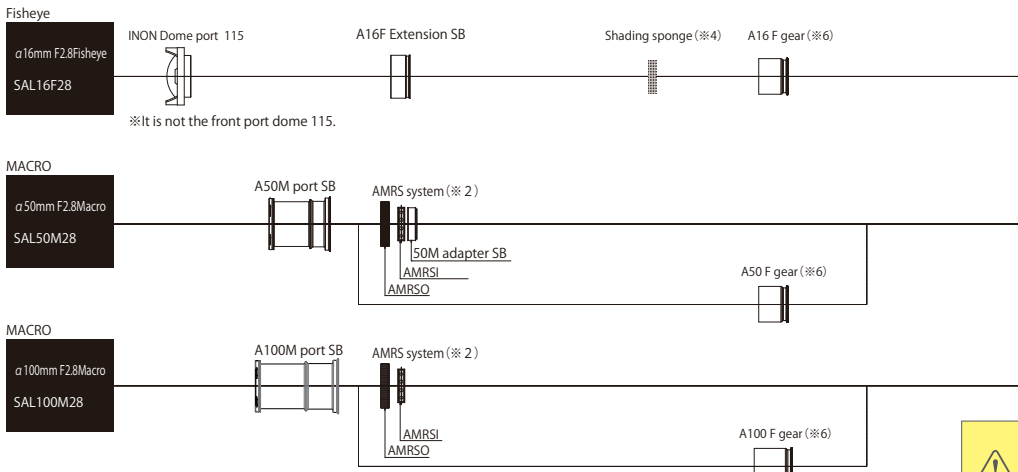
- [Standard equipment]
- ⊙ A lineup of 14 body colors
In stock colors (6) Black, Red, Violet, Bright Yellow, Blue, Turquoise
Special order colors (8) Gray, Bronze, Green, Champagne, Silver, Gold, Orange, Pink
(Requires a two-week production time after ordering.)
 - ⊙ Flat cover
 - ⊙ Monitor hood rail (the sea is brightly lit or for senior cameramen who have trouble focusing on nearby objects, an underwater Monitor Ring Pro (UN Co.) for the PT-EPO1 can be attached.)
 - ⊙ Mount Base (fits a X2 shoe base adaptor, a multi-direct base, a direct base, a T-slide base, an NA hooking ball joint base M10, and a ball joint base)
 - ⊙ Three tripod screws
 - ⊙ Trigger-style shutter lever
 - ⊙ Double O-ring seal on back door
 - ⊙ Strobe Sync Cord adaptor (for use with INON, Inc.'s fiber optic cable, for four strobes two rubber bush units from INON, Inc) (for use with two strobes from either Olympus or Sea & Sea)
 - ⊙ Pressure tested to 100m; systems operations check at 50m
 - ⊙ Materials: corrosion-resistant aluminum, SUS, polycarbonate, rubber
 - ⊙ Optical glass, AR multicoating

- [Optional]
- ⊙ Slanted cover for the Tiit Monitor; (option at time of order)
 - ⊙ M67 Adaptor
 - ⊙ Focus Gear (10mm, 16mm, 30mm macro lenses)
 - ⊙ Zoom Gear (18-55mm, 55-210mm under development)
 - ⊙ AMRS the focus ring and zoom ring allow underwater operation easy (The zoom lens has two functions so both can be accomplished underwater at the same time.)
 - ⊙ Projected type diffuser A projecting plate to lessen vignetting when using the internal strobe.

- [Ports]
- ⊙ Front port dome 115 + 8 Extension SB (corresponds to a Focas Gear)
 - ⊙ 30M port SB (corresponds to a Focas Gear)
 - ⊙ The 1018 port SB (AMRS (F or Z), gear (F or Z))
 - ⊙ The 1650 port SB (ZF gear Use to both is possible at one set)
 - ⊙ 1855 port SB (corresponds to a W-AMRS, Zoom Gear)
 - ⊙ 55210 port SB (corresponds to a W-AMRS, Zoom Gear)
 - ⊙ Dome port 115+A16F Extension SB (corresponds to a Focas Gear)
 - ⊙ A50M port SB (corresponds to a AMRS, Focas Gear)
 - ⊙ A100M port SB (corresponds to a AMRS, Focas Gear)

*The following systems, AMRS, AMRSI, AMRSO referred to in these documents, are produced by ACQUAPAZZA with permission from INON, Inc For further information, please contact ACQUAPAZZA.

A Mount Lens



Be sure to read the instruction manual before using for your safe and correct use.

