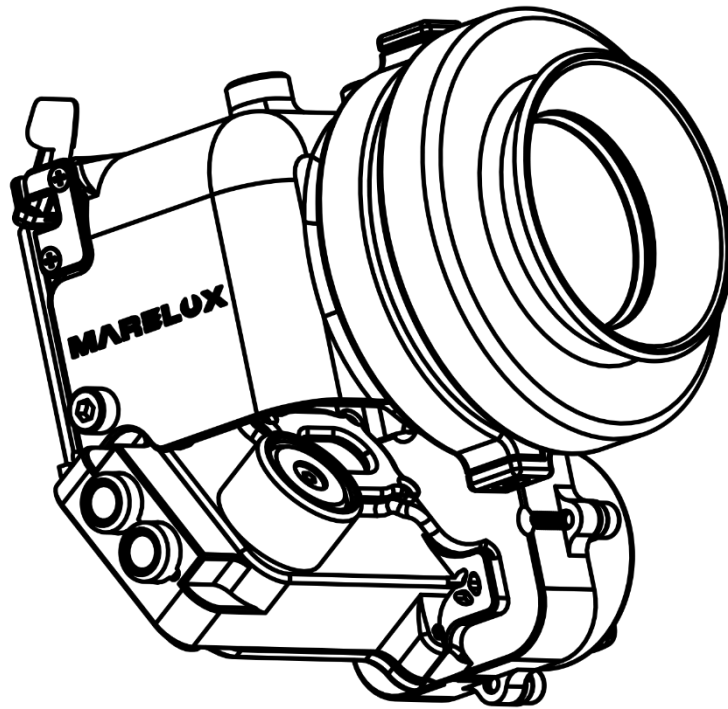


MARELUX

180 Degree Smart Viewfinder



User Manual

Please read this user manual carefully before starting to use the product, and use the product properly based on the thorough understanding of this user manual.

<https://www.marelux.co/>

Product Specification:

Material: Optical Glass, Anodized Aluminum Alloy

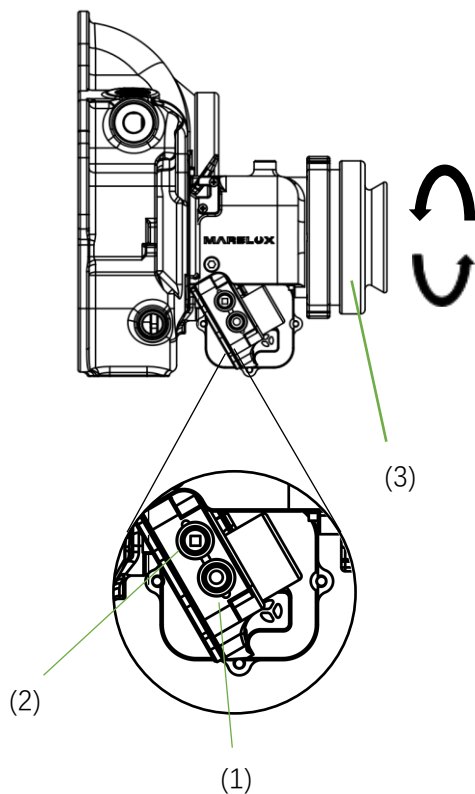
Weight: 300g

Depth Rating: 100m

Magnification: 0.8X (Underwater)

Built-in Indicators on Screen: Current Depth, Temperature, Diving Time, Battery Status, Ascent Rate and Speeding Alert

Part Names and Functions:



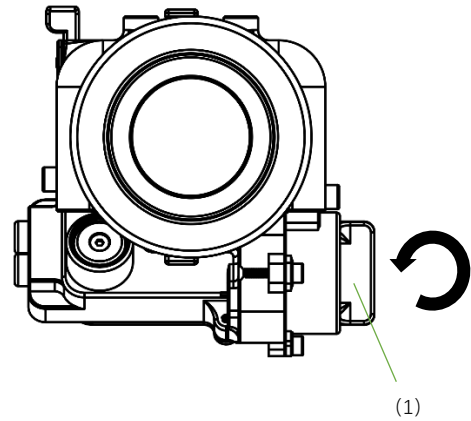
(1) Power and Mode Switch

(2) Unit Switch and Depth Reset
Button

(3) Diopters Adjustment

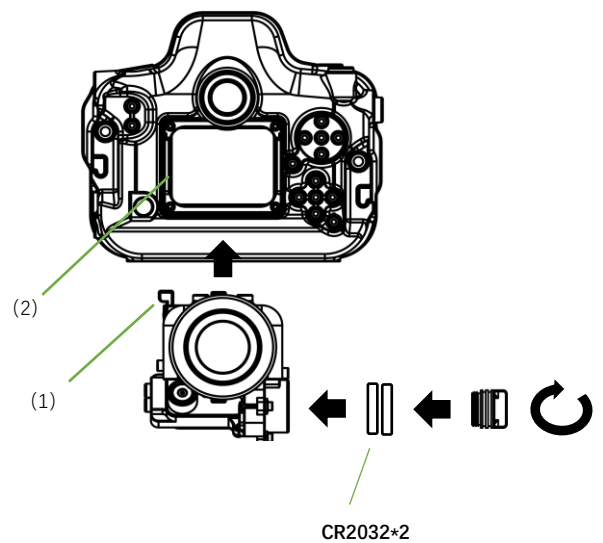
Installation

Remove the battery cap(1) by rotating it counterclockwise.




Insert the battery and then attach the battery cap by rotating it clockwise.



Press the locking button(1) on the viewfinder and insert it into the housing slot(2).

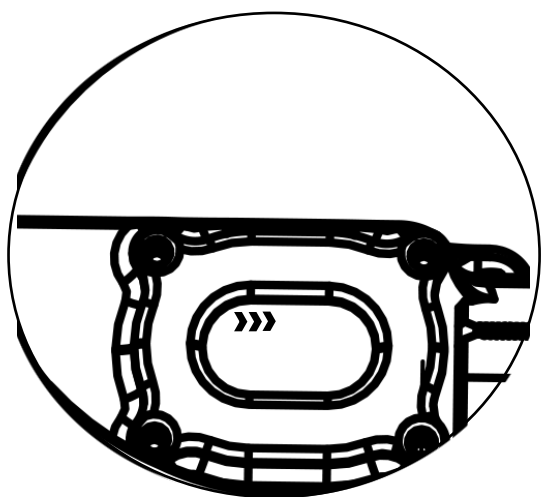
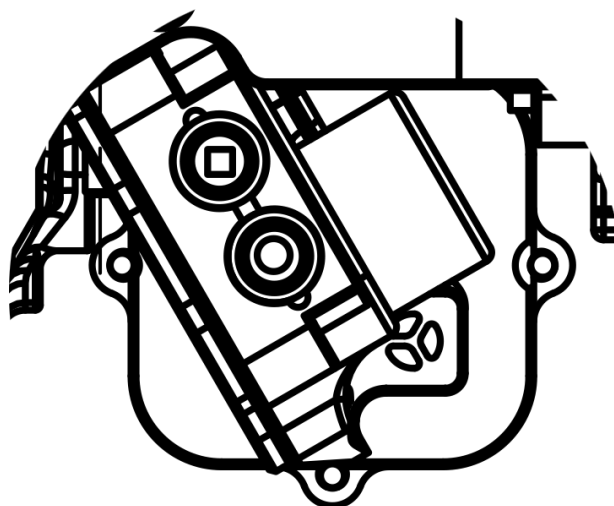


Usage

Because the refractive index of air is different from that of water, this product can only be used underwater.

Press and hold the  button for 1 second to power on.

Before diving, press the  button to switch to the depth display and then press the  button to reset the depth to 0 M.



The arrow displayed at the top of the screen shows the Ascent Rate and Speeding Alert.

Maintenance And Storage

- After each underwater use, always remove this product from the housing and soak it in fresh water for several hours to dissolve any salt buildup. Wipe off water with soft cloth and let it dry in shaded and well-ventilated area.
- Periodically apply grease on the O-Ring of the battery end cap to prevent problems caused by salt buildup or electrical corrosion.