

22110 N120 Extension Ring 10 II

Instruction Manual

FOREWORD

Thank you for your purchase of a NAUTICAM product.

At NAUTICAM, we pride ourselves in the ability to recognize the requirements of professional as well as amateur underwater photographers and fulfill them through the innovative designs of our products. We strive to achieve a high level of user-friendliness by allowing stress-free installation and easy operation of all important functions of the camera.

Each product is individually inspected and water pressure tested to ensure optimum quality.

Please read this manual carefully before using the product, this will maximize its performance as well as its lifetime.

WARRANTY

All NAUTICAM Products are warranted against any material and manufacturing defects for two years from the date of purchase for consumer use. This warranty only applies to products purchased from authorized NAUTICAM dealers and does not extend beyond the original retail purchaser.

To return your product for service, please contact your regional authorized service centre(s). Please note that this warranty only applies when the product is purchased in the territory where the service centre is located.

NAUTICAM does not hold responsibility for damage, of any nature, to any equipment used with and/or placed within our products.

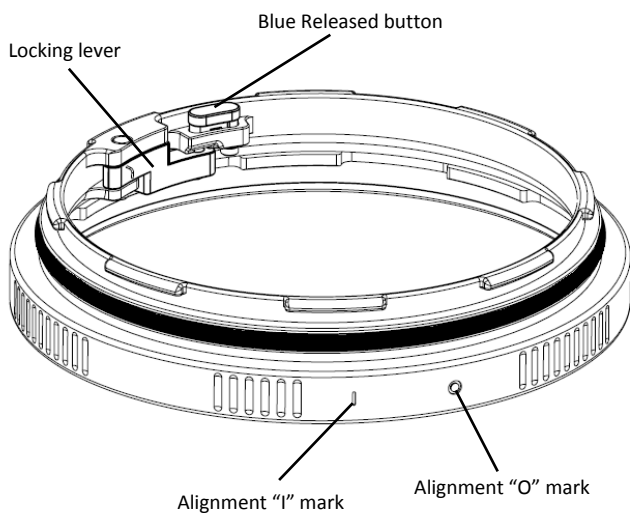
NAUTICAM accepts no liability for any loss of captured images or the inability to capture images even if it is due to the malfunctioning of our products.

Unauthorized modifications and/or repairs of our products will automatically invalidate the warranty.

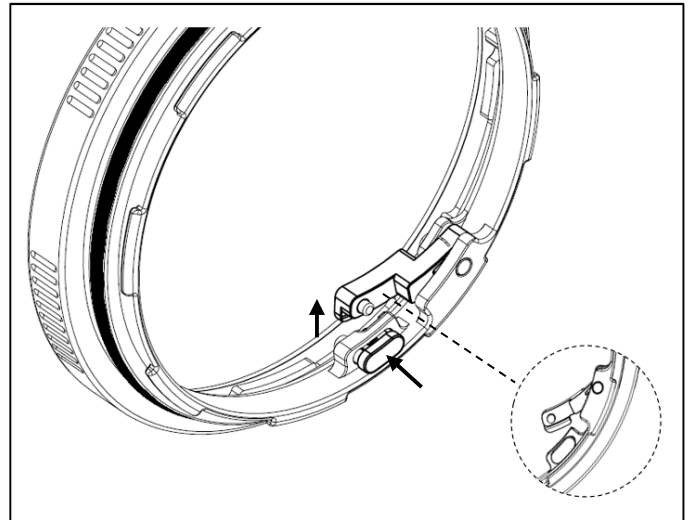
PACKAGE CONTENTS

- N120 Extension ring 10 II
- Rear Port Cap
- Spare O-ring and Lubricant
- Manual Notice Card

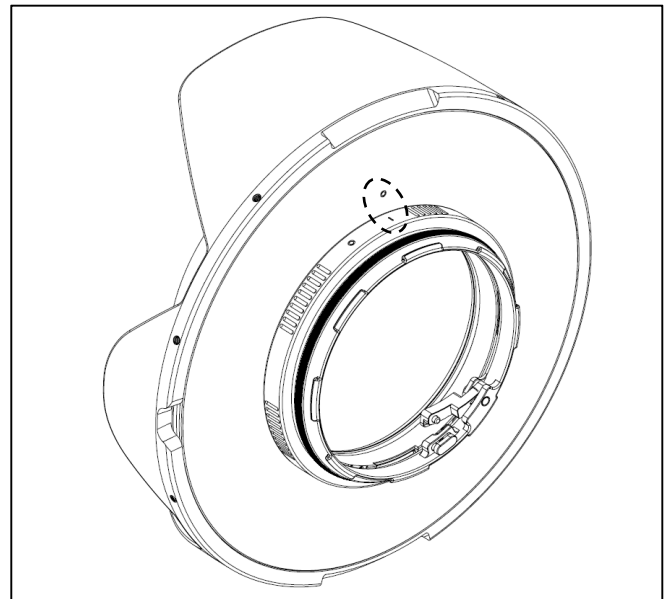
IDENTIFICATION OF PARTS



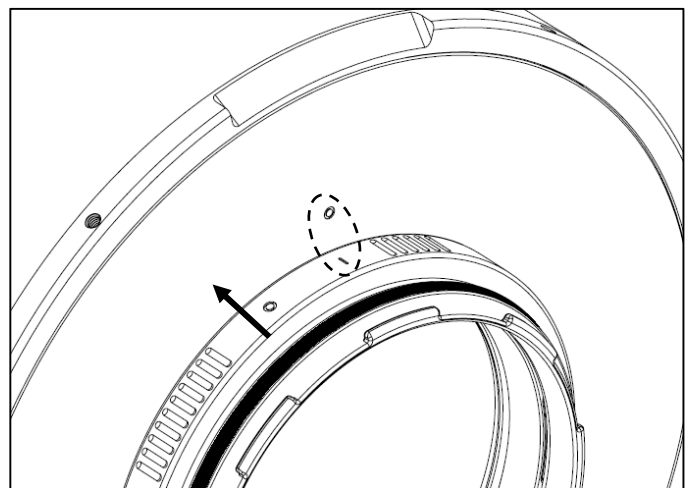
MOUNTING THE EXTENSION RING ON A PORT



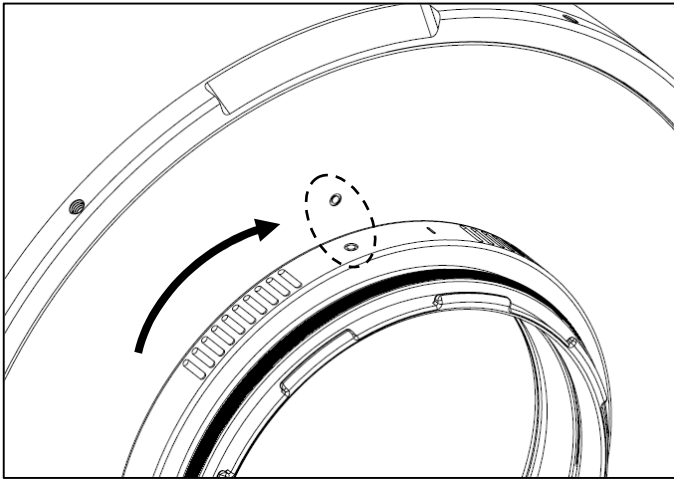
Push the blue released button and confirm that the extension ring is unlocked, with the locking lever upwards as shown.



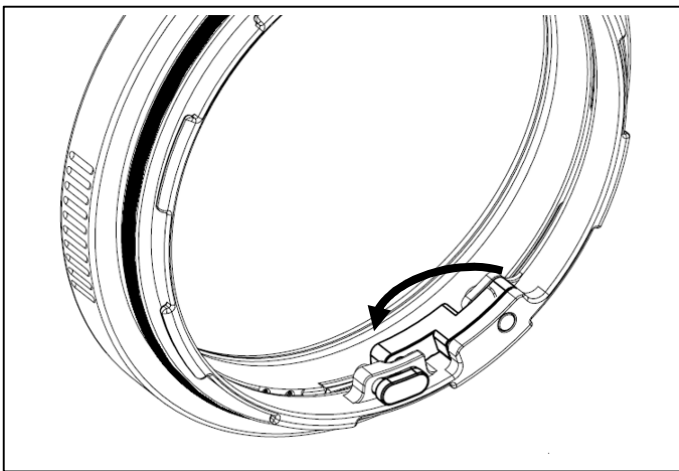
Align the "I" mark on the extension ring with the WHITE dot on the port.



Gently push the extension ring towards the port until it cannot go any further.



Turn the extension ring clockwise until the "O" mark on the extension ring aligns with the white dot on the port.



To lock the extension ring, push the locking lever downwards.

To unlock, push the blue released button and then reverse the above procedures.

SPECIFICATIONS

Dimension:	∅ 132.2*25.1mm
Internal Diameter:	109.5 mm
Extension Length:	12 mm
Weight:	Approx. 0.12kg
Port Mount:	N120
Compatibility:	<ul style="list-style-type: none"> • Ports with integrated bayonet ring shipping from 2022; • Extension ring II: <ul style="list-style-type: none"> #22120 N120 Extension Ring 20 II; #22130 N120 Extension Ring 30 II; #22135 N120 Extension ring 35 II #22140 N120 Extension Ring 40 II; #22150 N120 Extension Ring 50 II; #22155 N120 Extension Ring 55 II; #22160 N120 Extension Ring 60 II; #22170 N120 Extension Ring 70 II; #22180 N120 Extension Ring 80 II; #22190 N120 Extension Ring 90 II;
Incompatibility:	<ul style="list-style-type: none"> • Ports with detachable plastic bayonet ring; • Extension ring: <ul style="list-style-type: none"> #21120 Extension ring 20 with lock; #21125 N120 Extension Ring 25 with Lock; #21130 Extension ring 30 with lock; #21135 N120 Extension Ring 35 with Lock; #21140 Extension ring 40 with lock; #21150 Extension ring 50 with lock; #21155 Extension ring 55 with lock; #21160 Extension ring 60 with lock; #21170 Extension ring 70 with lock; #21180 Extension ring 80 with lock; #21190 Extension ring 90 with lock;

Remark: Nauticam supports only e-manuals. Please download corresponding product manuals on [Nauticam.com](https://www.nauticam.com) website, or contact us for e-manuals.