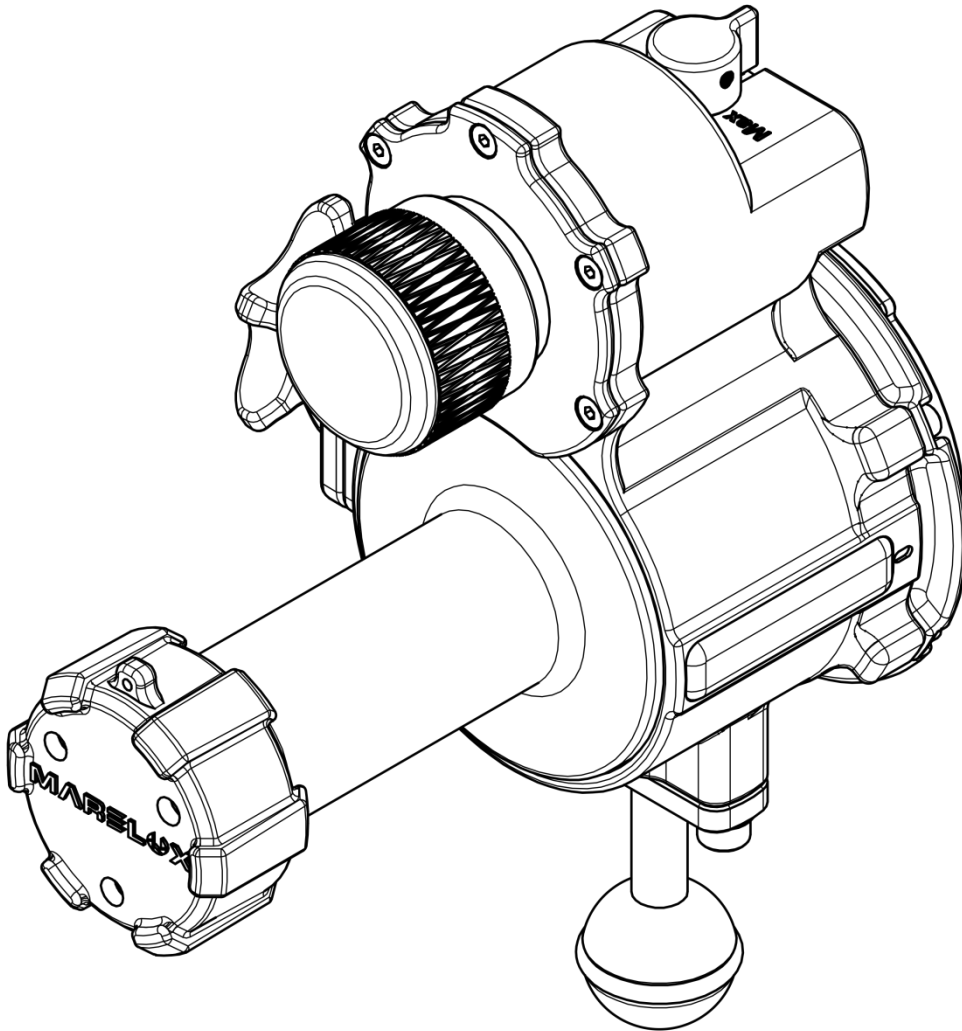


# MARELUX

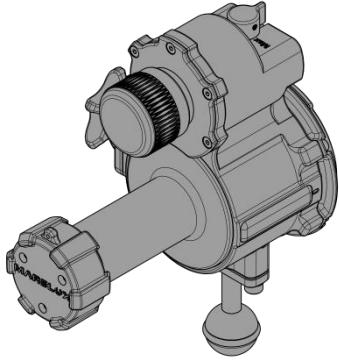
Smart Optical Flash Tube Professional (SOFT Pro) Main Body For INON S2000



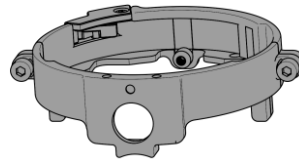
## User Manual

Please read this user manual carefully before starting to use the product, and use the product properly based on the thorough understanding of this user manual.

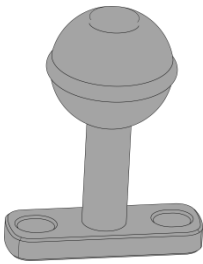
# Package Contents



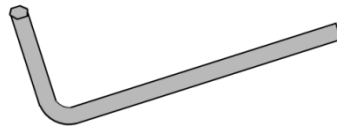
SOFT Pro Main Body



Dock for INON S2000



Mounting Ball \* 1



Allen Wrench



Lanyard Lock

# Product Features

## **Use with strobe to narrow down the beam coverage**

Length: 155mm

Weight: 790g (Battery Weight 25g), Underwater 210g (With buoyancy cover 125g)

Depth Rating: -100m

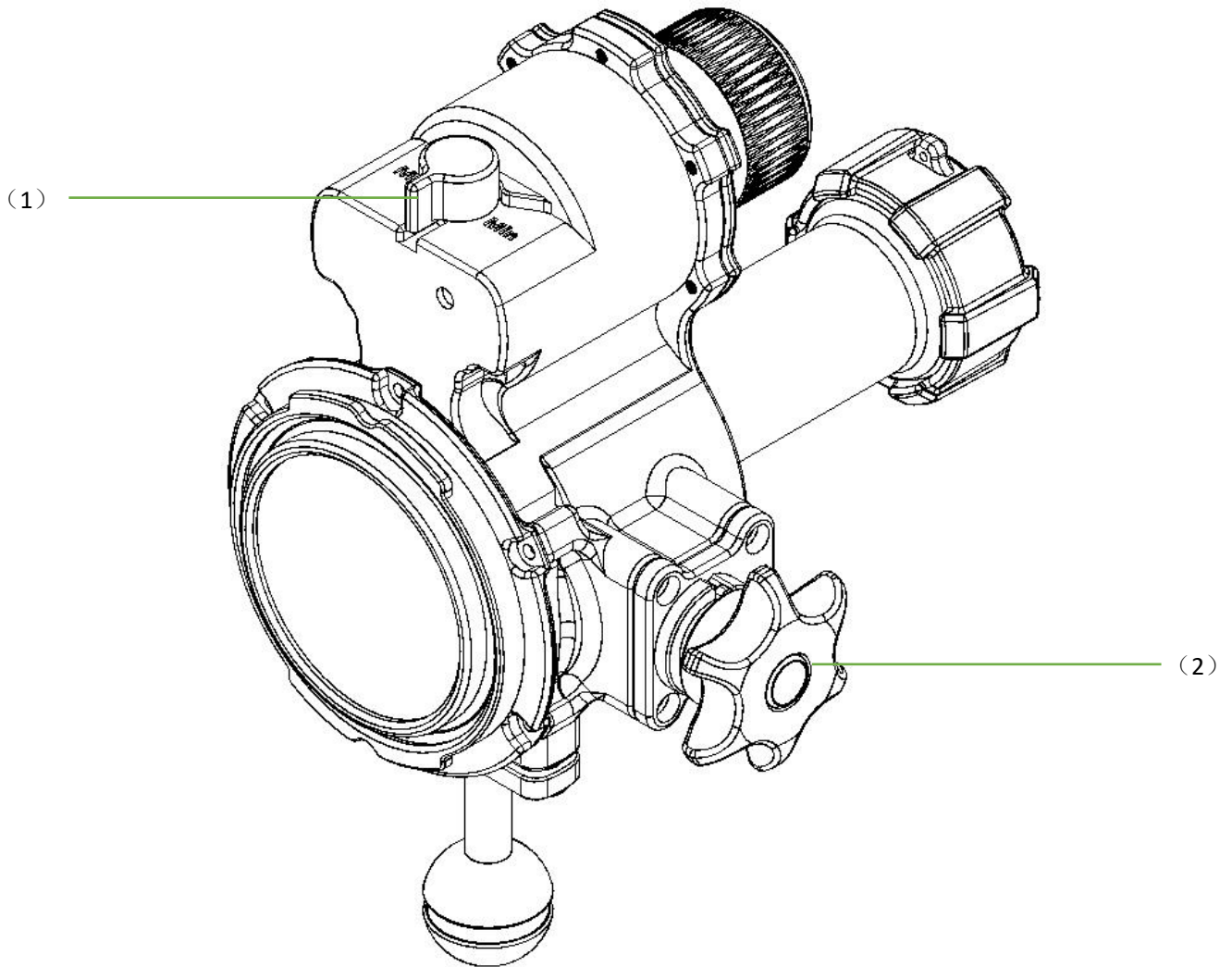
Focal Length (Underwater): 130mm

Beam Spot Adjustment Range: 3~50mm

Beam light switchable between white and red colors with adjustable luminance and adjustable delay shutoff time of beam light

Use one 18350 Lithium battery which can support 3 hours of continuous use

# Part Names and Functions

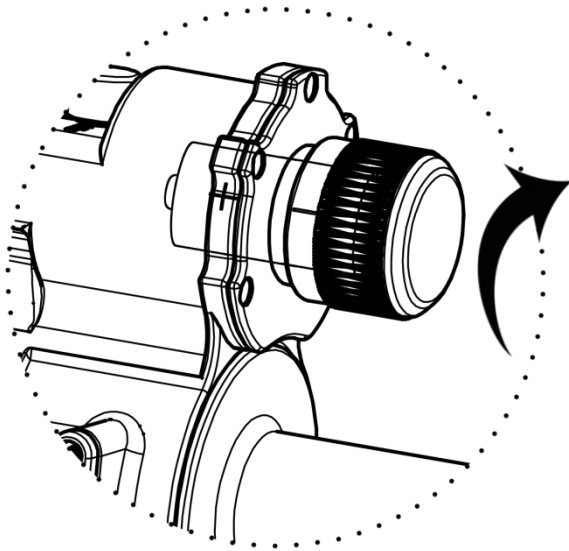
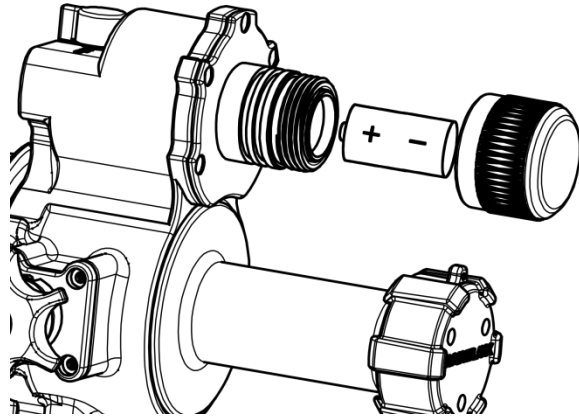


- (1) Power Switch
- (2) Beam Spot Adjustment Knob

# Battery Installation

This product requires one 18350 Lithium battery

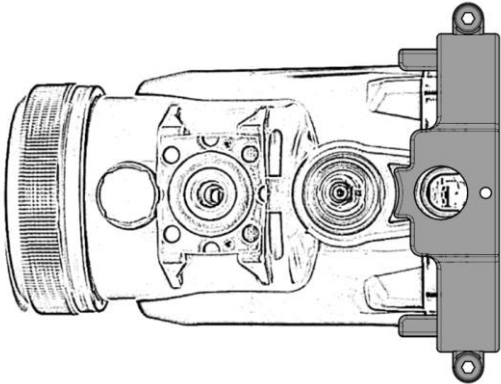
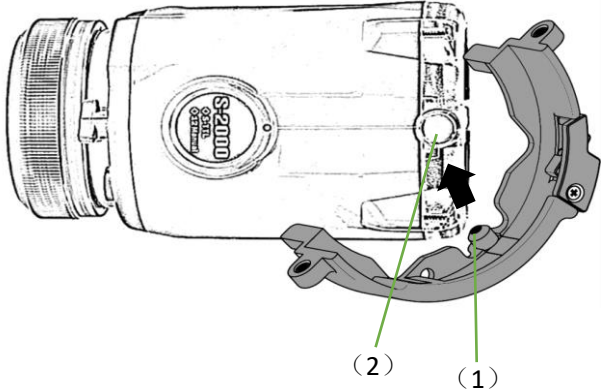
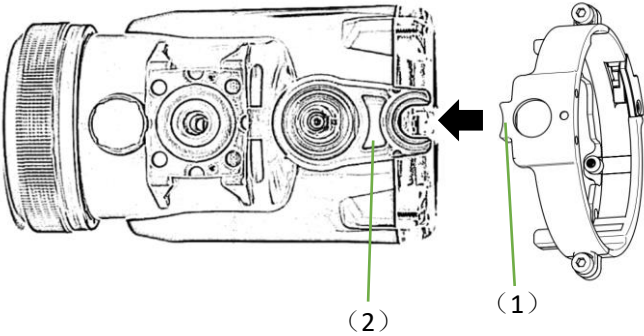
Remove the battery end cap by rotating it counter clockwise then insert the battery in the direction shown in the figure.



Attach the battery end cap by rotating it clockwise.

# Dock Installation

Align the bulge(1) of [the dock for INON S2000 ] to the slot(2) of the strobe

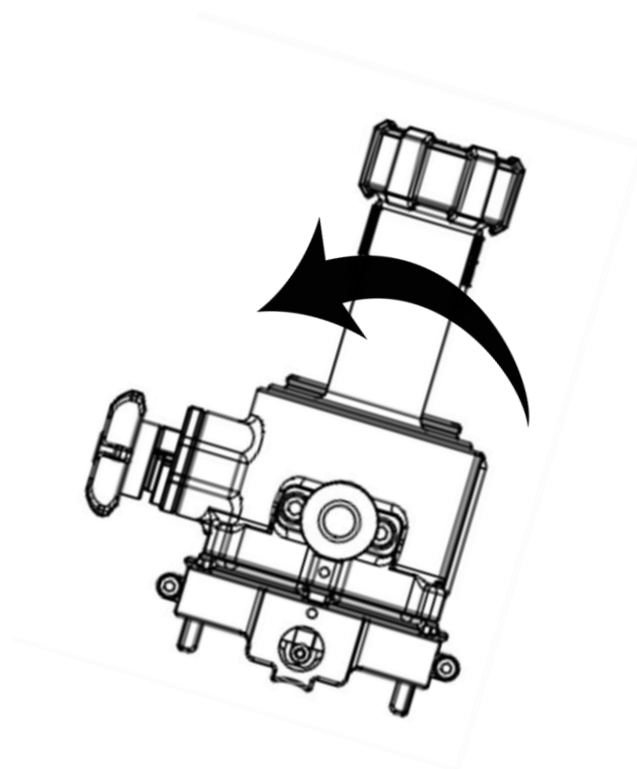
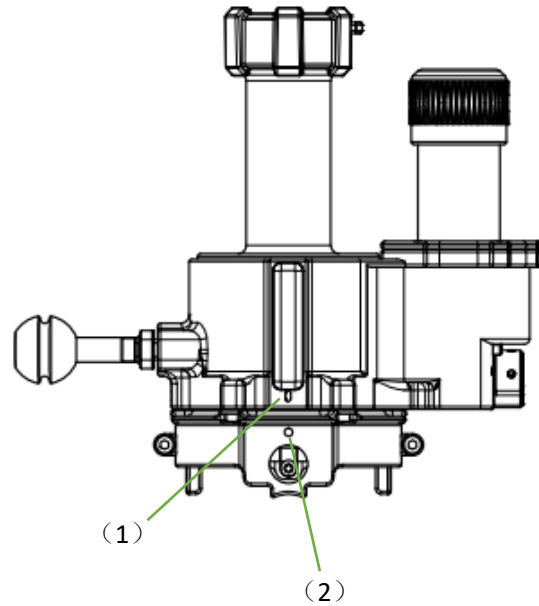


Tighten the screw to secure the dock onto the strobe.



# Installation

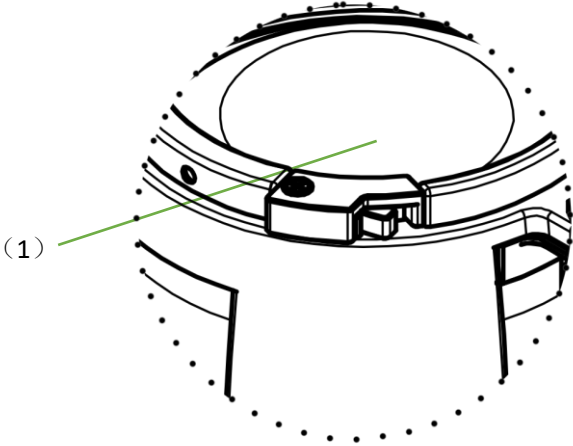
Align the white bar (1) on the SOFT Pro to the white dot (2) on the dock then attach the SOFT Pro to the dock in the direction shown in the figure



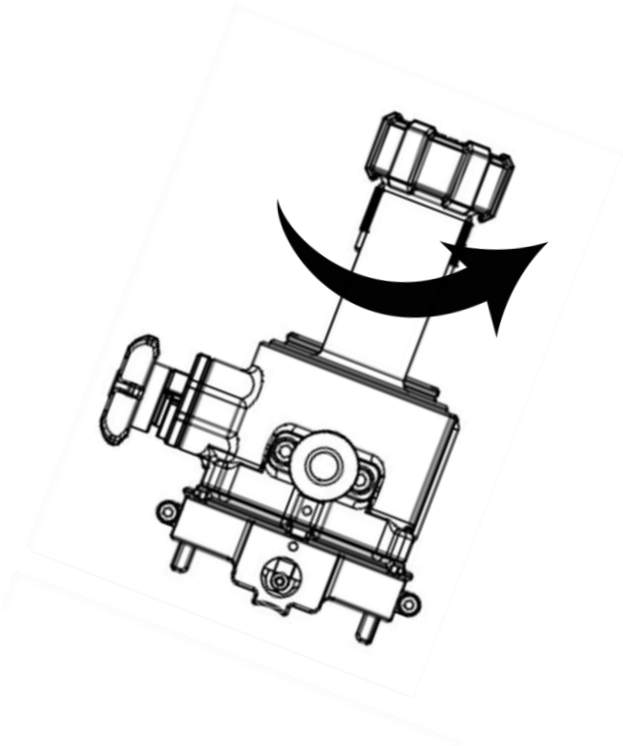
Rotate the SOFT Pro clockwise until the white dot of the SOFT Pro aligns to the white dot of the dock.

# Uninstallation

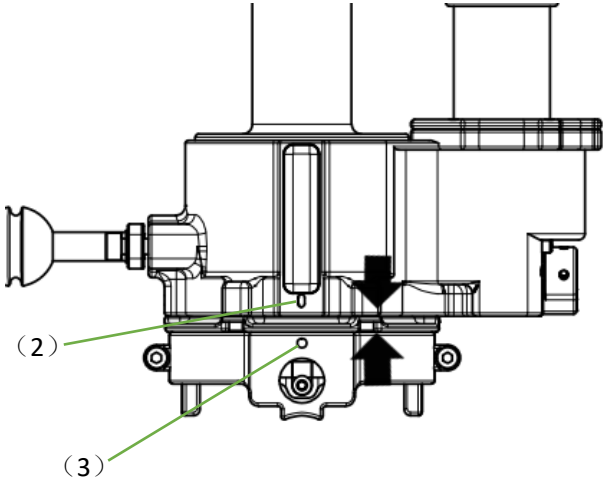
Press the lock button (1) and rotate the SOFT Pro counterclockwise



Until the white bar (2) aligns to the white dot (3)



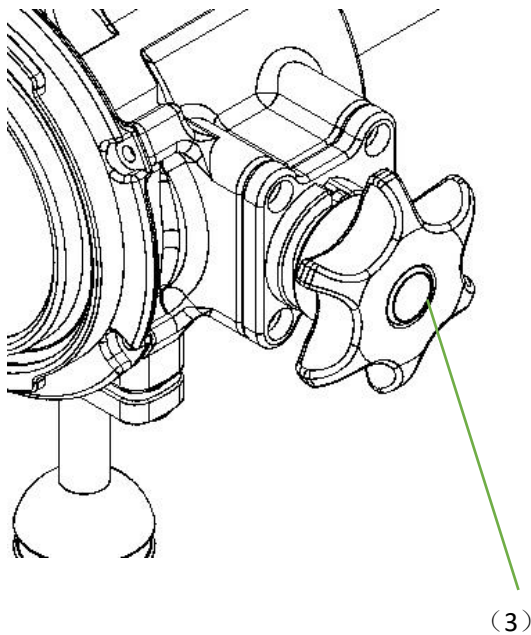
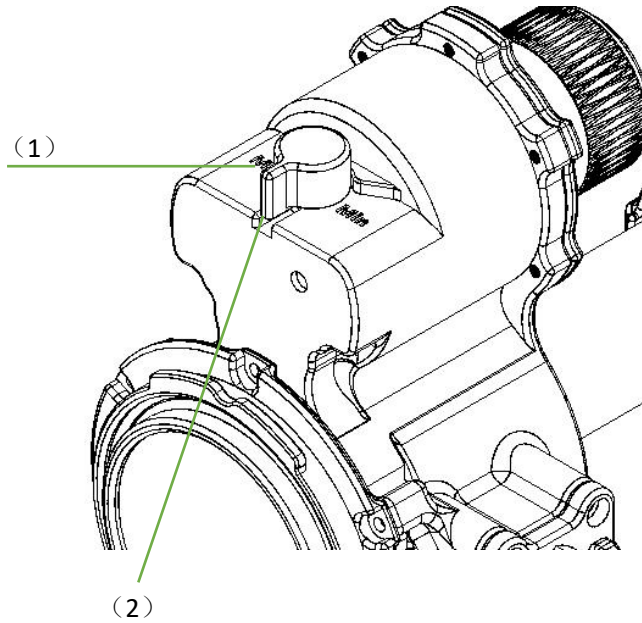
Separate the SOFT Pro main body from the dock in the direction shown in the figure





# Usage

- Align the handle of the power button (1) to the groove (2)
- Long press the power button (1) for 2 seconds to turn on the beam light
- Press the power button to switch between white light and red light
- Long press the power button for 3 seconds till the led turns red to turn off the beam light



- Beam light luminance adjustment: turn the power button (1) clockwise to increase the luminance and counterclockwise to decrease it
- Beam light delay shutoff time setting: long press the power button (1) for 6 seconds till the led stays red to enter the setting state. Press the button again to change the delay shutoff time then exit the setting state (switchable between 0.2 seconds and 1.2 seconds)
- Beam spot adjustment: turn the knob (3) to change the beam spot size

# Maintenance And Storage

- After each underwater use, always remove this product from the strobe and soak it in fresh water for several hours to dissolve any salt buildup. Wipe off water with soft cloth and let it dry in shaded and well-ventilated area.
- Periodically apply grease on the O-Ring of the battery end cap to prevent problems caused by salt buildup or electrical corrosion.
- A diffuser is not usable in combination with this product.
- Do not tighten screws too much to avoid damage on the screw holes.

# Warranty

1. Marelux provides 2 years warranty for its SOFT Pro body and 1 year warranty for electronic parts and components made of silicon, rubber and plastic.
2. Repairs caused by following reasons will be charged by Marelux even during the 2 years warranty period.
  - Damage from misuse, incorrect maintenance or storage not complying with the specifications and notices in this user manual;
  - Damage from falling or inappropriate placement of the product ;
  - Damage caused by repair, maintenance, dismantlement, modification or cleaning by any unauthorized vendor or service center by Marelux;
  - Product without authentic Marelux serial number, or with erased, distorted or falsified serial number;
  - Damage caused by usage of non Marelux recommended accessories, parts, components from other makers or suppliers, such as Flash Trigger, Cable, Dome Port, Extension Ring, Converter and etc.;
  - Damage caused by misuse or mistreatment by human, or by natural disaster or other situations of force majeure;
  - Malfunction or damage caused by erosion due to not cleaning the SOFT;
3. Batteries, lubricants and other consumable supplies are not in warranty.
4. All parts and components replaced from the product in the warranty service should belong to Marelux.
5. Marelux is not responsible for and will not compensate any collateral damages or financial losses caused by using Marelux products, such as income or fees related to the use of Marelux products.
  - Warranty is only provided to products sold inside the service territory of the distributor or reseller.
  - Products purchased and used for rental business are not included in warranty.
  - Products will lose warranty immediately after unauthorized repair or modification.
  - The warranty terms above are made for Marelux customers to conduct free warranty service and repair, and have no restriction to any legal rights that customers shall possess.