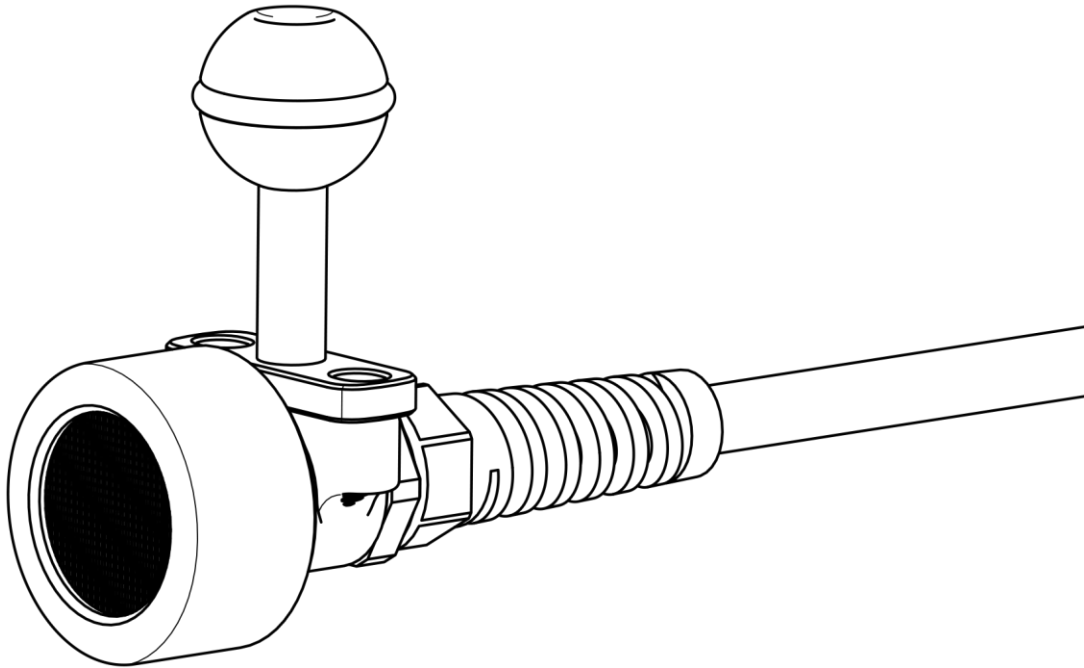


MARELUX

Hydrophone



User Manual

Please read this user manual carefully before starting to use the product, and use the product properly based on the thorough understanding of this user manual.

<https://www.marelux.co/>

Technical Specification:

Sensitivity : -33 ± 2 dB

S/N Ratio : 80 (Typ.) dB

Length :1m

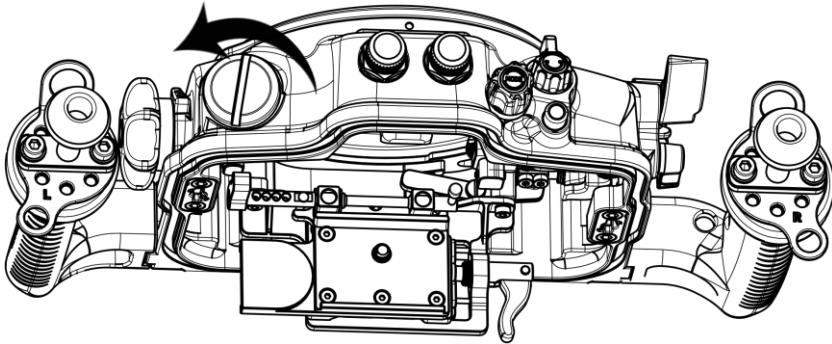
Material: Anodized Aluminum Alloy

Waterproof depth : -100m

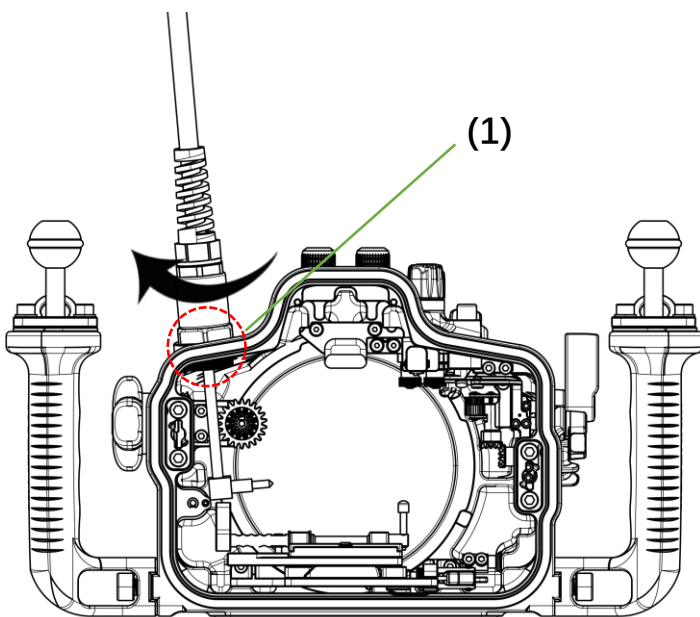
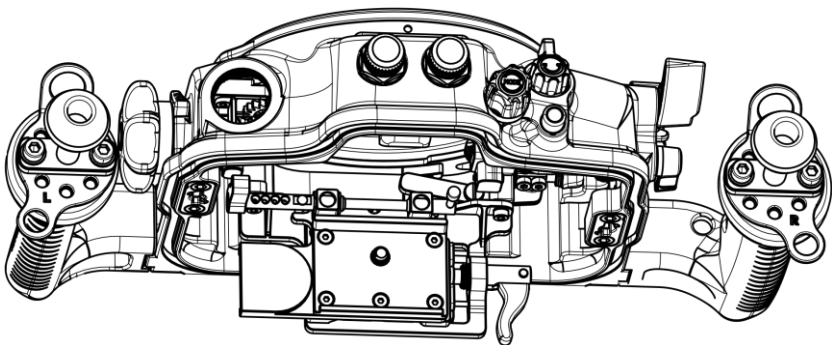
Weight in Air:300g

Connector Type: 3.5 mm Jack

Installation

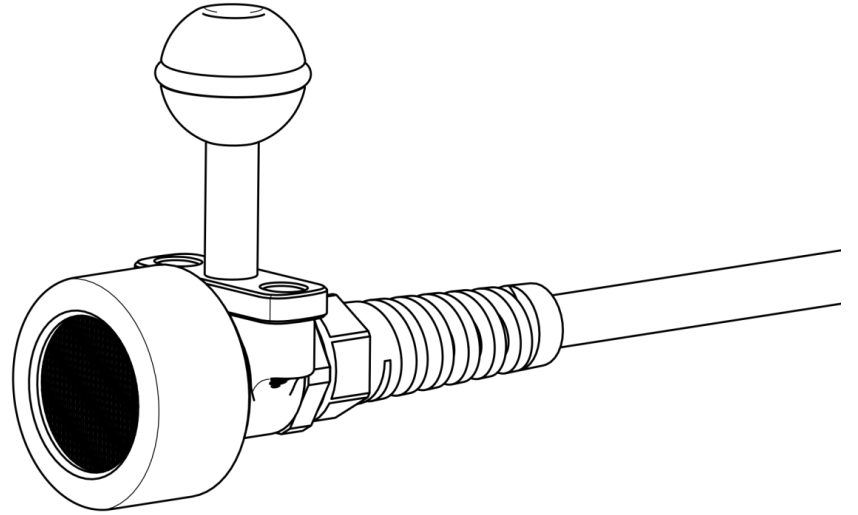


Rotate the cap on the housing counterclockwise to remove it.



Insert the hydrophone into the M24 port of the housing, and then rotate the component (1) in a clockwise direction as shown in the figure.

Installation



Attach the soundproof cover(1)
as needed.

